



# ThermAir Burners

Model TA040

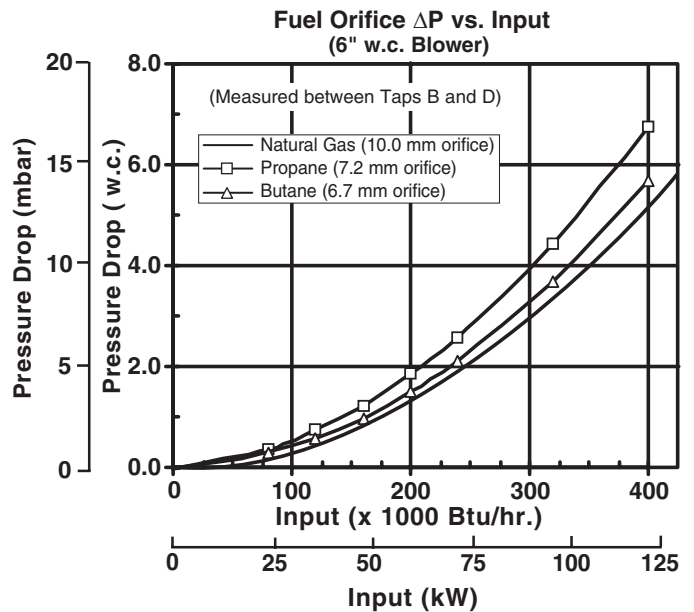
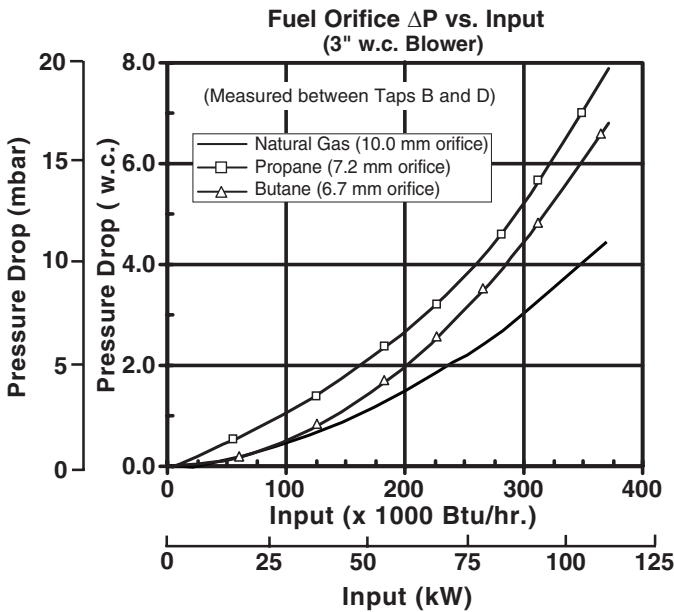
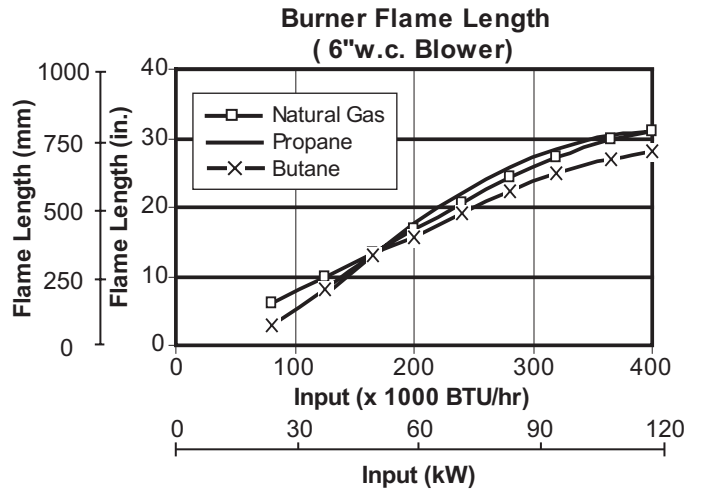
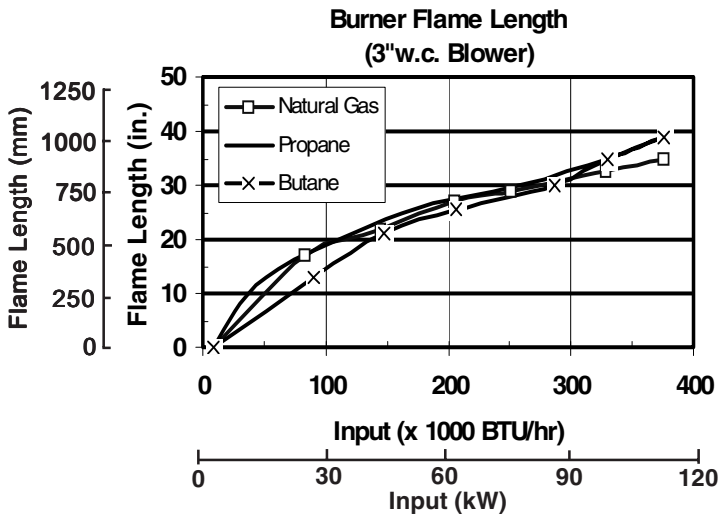
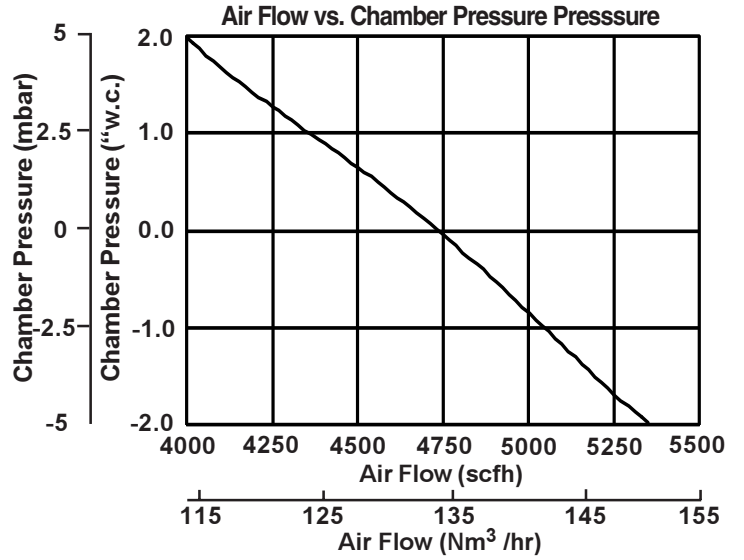
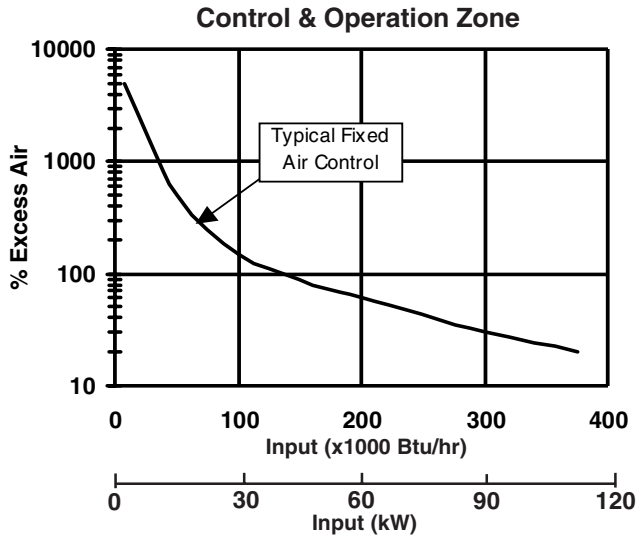
Version 1.10

## Main Specification – TA040

PARAMETER	BLOWER SIZE								
	Frequency	3"w.c. Packaged				6"w.c. Packaged			
Maximum input (Btu/hr)		Capacity at Chamber Pressure				Capacity at Chamber Pressure			
		BTU/hr	"w.c.	kW	mbar	BTU/hr	"w.c.	kW	mbar
	60 Hz Packaged Blower	403,000	-1.0	118	-2,5	467,000	-1.0	137	-2,5
		375,000	0.0	110	0,0	400,000	0.0	117	0,0
		345,000	1.0	101	2,5	370,000	1.0	108	2,5
	50 Hz Packaged Blower	Not Available				434,000	-1.0	127	-2,5
		Not Available				406,000	0.0	119	0,0
		Not Available				376,000	1.0	110	2,5
Minimum input Natural gas, Propane/Butane		<b>BTU/hr</b>	<b>kW</b>		<b>BTU/hr</b>	<b>kW</b>			
		8,000	2,3		13,000	3,8			
Main Gas Inlet Pressure • Fuel pressure at gas inlet (Tap "B")		<b>" w.c.</b>	<b>mbar</b>		<b>" w.c.</b>	<b>mbar</b>			
Natural gas		4.1	14,7		5.8	16			
Propane		7.7	19,2		6.7	17			
Butane		6.5	16,2		6.7	17			
High Fire Flame Length • Measured from the outlet end of combustor		<b>inches</b>	<b>mm</b>		<b>inches</b>	<b>mm</b>			
Natural gas		35	889		31	787			
Propane		39	991		31	787			
Butane		39	991		28	711			
Maximum Chamber Temperature (Alloy & SIC Tubes) Note: For higher temperatures, contact Eclipse.		<b>°F</b>	<b>°C</b>		<b>°F</b>	<b>°C</b>			
		1500	820						
Flame Detection	Flame rod or UV scanner								
Fuel	Natural gas, Propane, or Butane. For any other mixed gas, contact Eclipse Combustion for orifice sizing								

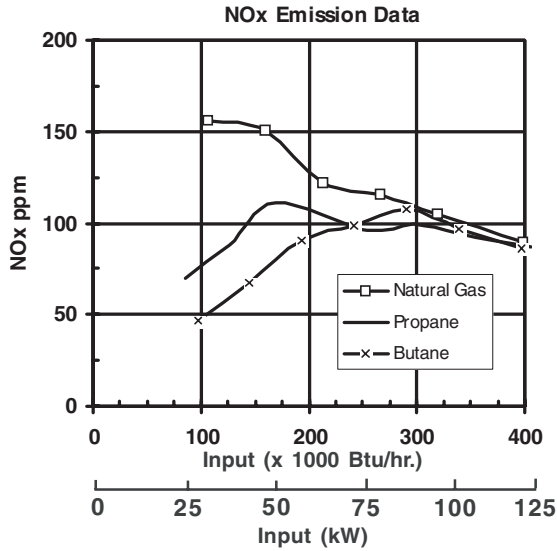
- All information is based on laboratory testing in neutral (0.0"w.c.) chamber with standard combustor design. Different chamber conditions and/or combustor design will affect the data.
- Maximum inputs are given for the standard combustion air blower without an air filter.
- All inputs based upon gross calorific values and standard conditions: 1 atmosphere, 70° F ( 21°C).
- Blower motor service factors greater than 1.0 may be required when firing into negative chamber pressure applications. For specific application questions, contact your Eclipse Combustion representative.
- Eclipse reserves the right to change the construction and/or configuration of our products at any time without being obliged to adjust earlier supplies accordingly.

**Performance Graphs**  
ThermAir TA040



## Performance Graphs (Continued)

### ThermAir TA040



**Notes on emission data**

**NOx emission data is given for:**

- Ambient combustion air ~70° F (20° C)
- Minimal process air velocity
- ppm volume dry at 3% O<sub>2</sub>
- Neutral chamber pressure

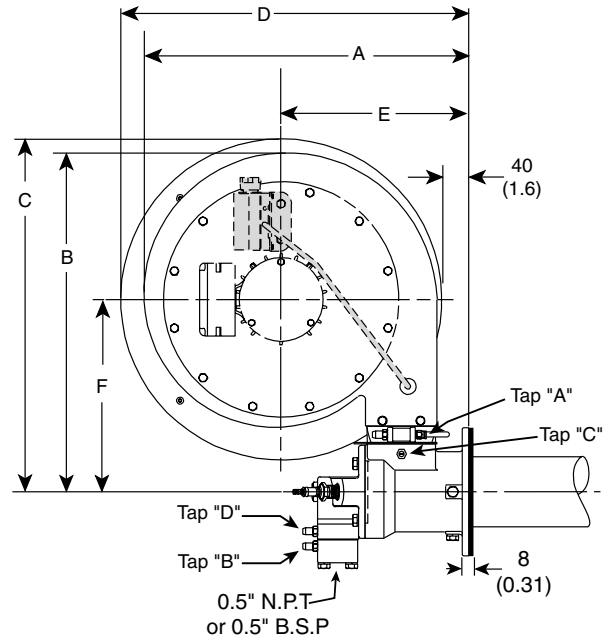
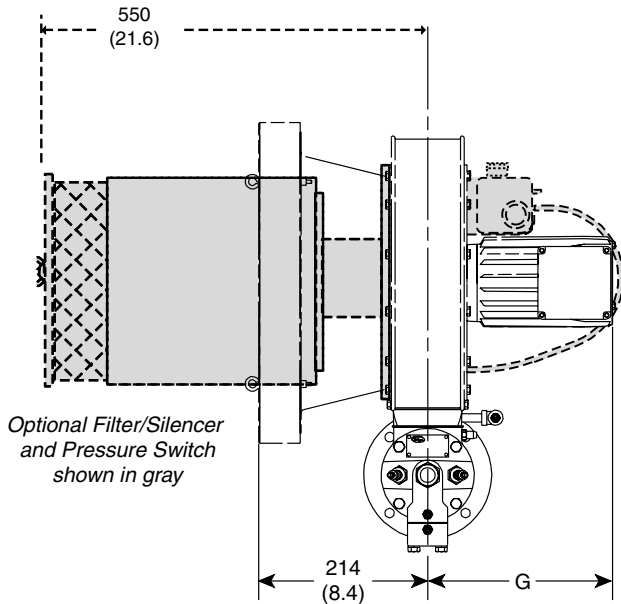
**Emissions are influenced by:**

- Chamber conditions
- Fuel type
- Firing rate
- Combustion air temperature

**CO emission is largely influenced by chamber conditions. Contact your local Eclipse Combustion representative for an estimate of CO emission on your application.**

### Dimensions-TA040

mm (in)



Port Connection	
Sparkplug	14mm
Flamerod or scanner	0.5" N.P.T.
Peepsight	0.75" N.P.T.

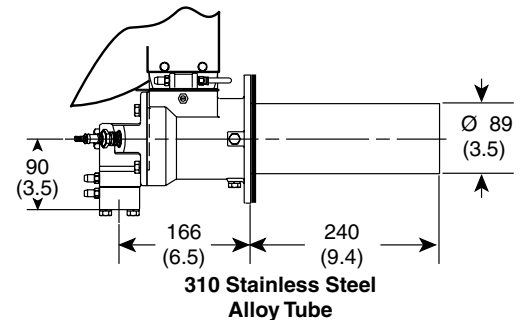
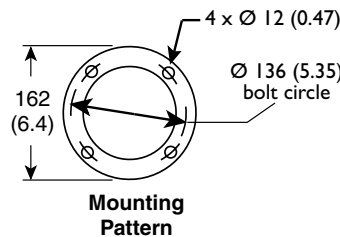
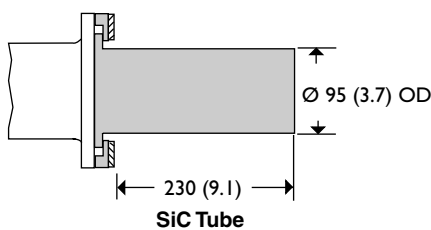
  

Weights		
	lb	kg
Burner, w/ blower	65	29
Burner, less blower	24	11
Filter/Silencer	21	10

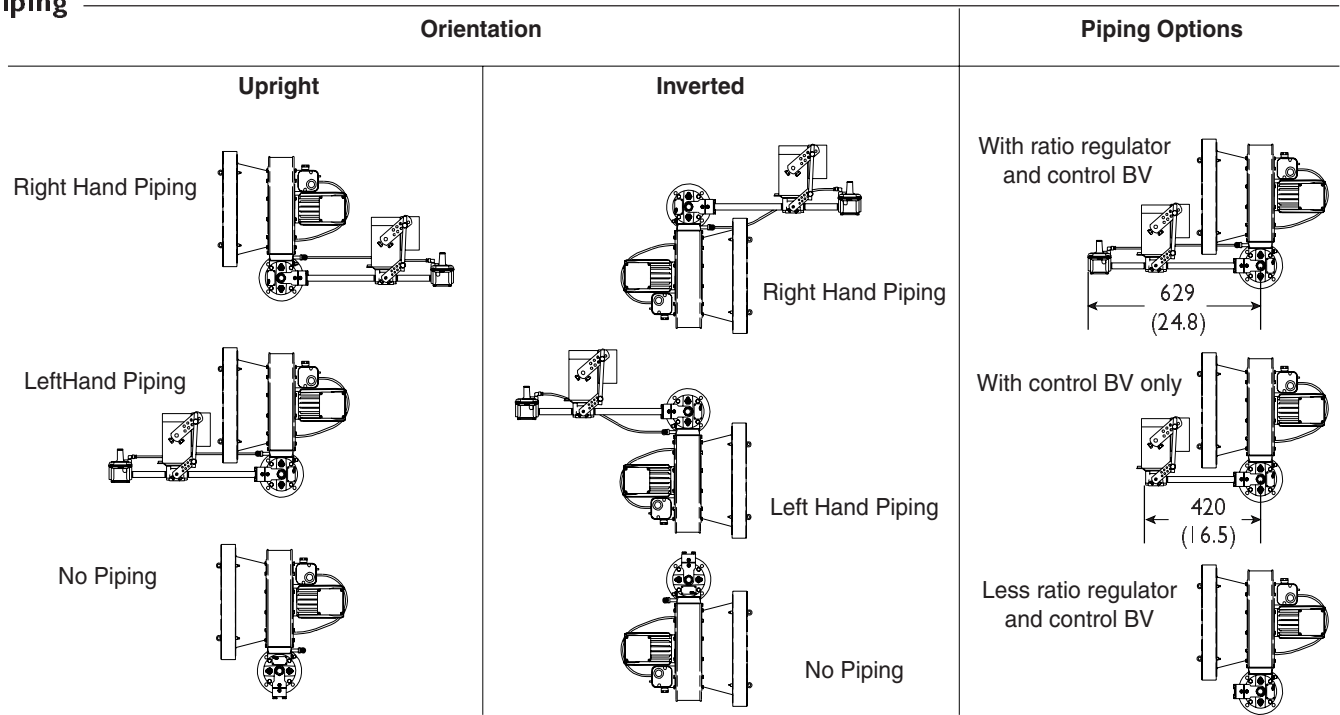
Blower 6" w.c.														
	A		B		C		D		E		F		G	
H <sub>z</sub>	mm	in	mm	in	mm	in	mm	in	mm	in	mm	in	mm	in
50	469	18.5	498	19.6	N/A	N/A	N/A	N/A	265	10.4	283	11.1	285	11.2
60	411	16.2	429	16.9	447	16.9	440	17.3	237	9.3	243	9.6	234	9.2

Blower 3" w.c.														
	A		B		C		D		E		F		G	
H <sub>z</sub>	mm	in	mm	in	mm	in	mm	in	mm	in	mm	in	mm	in
60	329	12.9	360	14.2	N/A	N/A	N/A	N/A	198	7.8	209	8.2	179	7.0



# Piping



**Eclipse Combustion**



**Offered By:**

Power Equipment Company  
2011 Williamsburg Road  
Richmond, Virginia 23231  
Phone (804) 236-3800  
Fax (804) 236-3882

---

[www.peconet.com](http://www.peconet.com)